

Humidifiers



Wine Cellar with Wine Guardian Humidifier. Courtesy: Vintage Cellars

Wine is your passion. Preserving it is ours.

Wine Guardian® humidifiers are uniquely designed to deliver superior performance and reliability, ensuring the proper conditions for your wine collection and cellar. Our humidifiers **regulate and control humidity** while offering the versatility to be **used with any brand** of wine cooling system.

Humidifier Features

- Monitors and controls humidity in the wine cellar
- Evaporative drip pad system with removable cover and cleanable pad for easy access and maintenance
- Commercial-grade & lightweight, all-aluminum components



Integrated Humidifier



Freestanding Humidifier

Integrated

- Uses Wine Guardian remote interface for control and readout; a separate controller is not needed
- Installs on either side of system for application flexibility
- Powered directly from Wine Guardian® unit; no separate power source required

Freestanding

- Can be used with any wine cellar cooling system
- Versatile placement: mounted through-the-wall, through-the-racking or on-the-wall with included mounting bracket for maximum flexibility
- Sleek, modern supply grille (Removable)



Made in
the U.S.A.

Wine Guardian USA:

1 (800) 825 3268 | 1 (315) 452 7400

wineguardian.com | info@wineguardian.com

Wine Guardian European Office:

Pestalozzistrasse 2, CH-8201 Schaffhausen, Switzerland

+41 (0) 52 224-0490 | tluehr@airinnovations.com

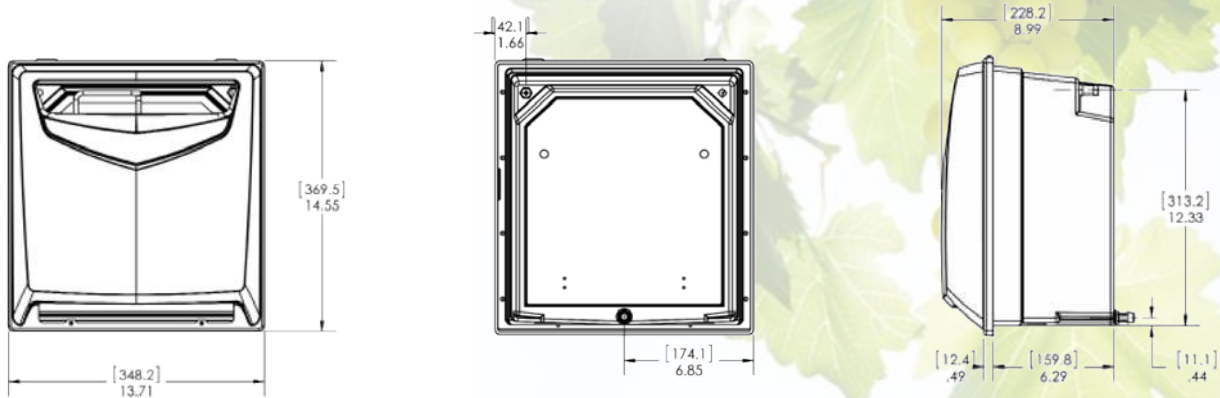
Find a Distributor

Humidifiers



Other things to know about Wine Guardian® wine cellar humidifiers

- Uses Wine Guardian control system to sense & control the amount of moisture that needs to be added to the cellar
- Water supply and drain lines are conveniently located for ease of installation and service
- Wine Guardian humidifiers are designed for minimal maintenance. However, a regular maintenance program helps prolong the life of the humidifier and helps to maintain humidity in the cellar



Front, back and side view. Dimensions in inches (mm)

Humidifier Specifications

Supply Water	Temperature 60°F (16°C) 100°F (38°C)	Capacity 0.42 lbs/hr (0.19 kg/hr) 1.0 lbs/hr (0.45 kg/hr)
Controls	Cellar-mounted remote interface controller	
Power Requirements	Freestanding: 115 volt, 1 phase, 60 Hz (220/240 volt, 1 phase, 50 Hz) Independent Operation 24 volt (50/60 Hz) When powered through Wine Guardian®	
	Integrated: 24 volt (50/60 Hz) When directly connected to Wine Guardian®	
Weight	10 lbs (4.5 kg)	

Contact your authorized Wine Guardian distributor for information pertaining to integrated humidification. Wine Guardian® systems are made in the USA by Air Innovations®. Manufacturer reserves right, without notice, to make changes to specifications at its sole discretion. Wine Guardian® Through-the-Wall Cooling System US Pat. No. D634760. Wine Guardian® is a registered trademark of Air Innovations®.

Rev 1/18

Wine Guardian USA:
1 (800) 825 3268 | 1 (315) 452 7400
wineguardian.com | info@wineguardian.com

Wine Guardian European Office:
Pestalozzistrasse 2, CH-8201 Schaffhausen, Switzerland
+41 (0) 52 224-0490 | tluehr@airinnovations.com

Find a Distributor